

For Product Step File or 3D Model Send a Request Mail To info@nrack.com

Photo View

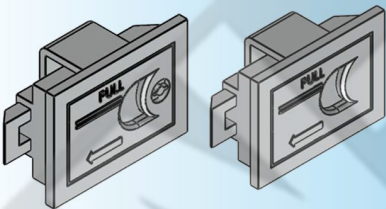


MS 731-1-1

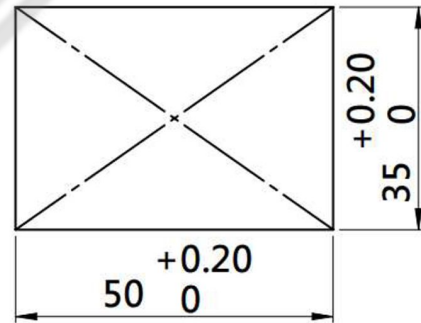
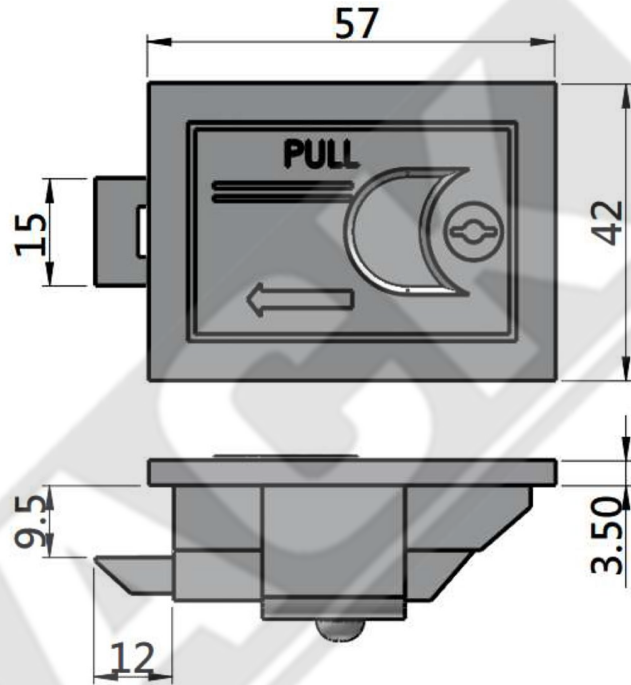


MS 731-1-2

3D Rendered View



MS 731



CUT OUT

Product Number		Weight (g)	Lot
With key	MS 731- 1- 1	150.5	200
w/o key	MS 731- 1- 2	134.5	200

- Material: Zinc die-casting body
Zinc plating cam, fixing parts
- Finish : Bright chrome plating
- Panel thickness: 1-5mm